

Thermistor Flying Lead Temperature Sensor

T/TFR-4 Thermistor Flying Lead Temperature Sensor



Description

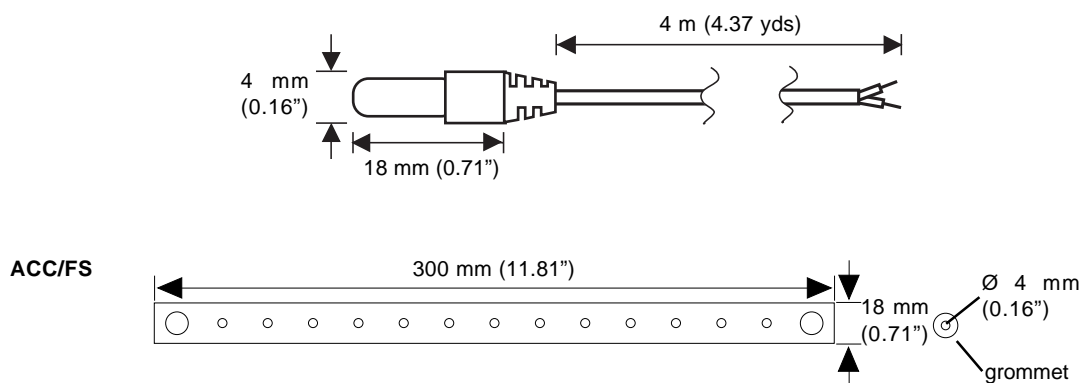
Low cost thermistor sensor for temperature measurement applications.

The T/TFR-4 is a fast response flying lead probe with a low thermal mass. There is an optional mounting kit.

Features

- Low cost high quality thermistor
- Low thermal mass, fast response
- Optional mounting kit (ACC/FS)

Physical



FUNCTIONALITY

This low cost thermistor sensor provides an economic way of measuring temperatures in varying locations.

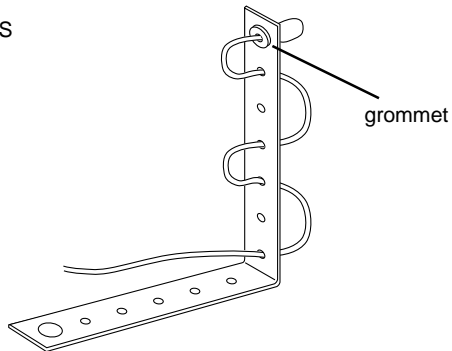
The T/TFR-4 can be used in the airflow, or as a clamp-on using the mounting accessory kit, and for fast response measurements e.g. in fan coil units.

Note this sensor is not able to be recalibrated but readings should be verified annually and offsets applied if necessary.

INSTALLATION

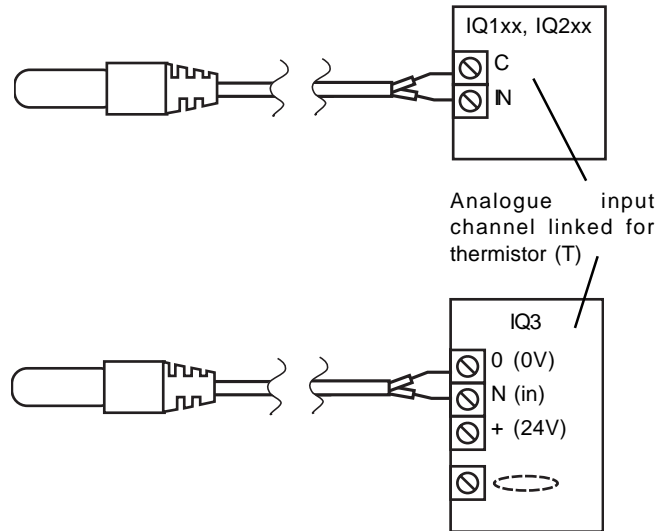
Choose location
Mount sensor (use ACC/FS if required)
Connect to controller
Set up strategy
Test

Use of ACC/FS




Full Installation details are given in the T/TFR-4 Installation Instructions, TG200660.

CONNECTIONS



DISPOSAL



WEEE Directive :

At the end of their useful life the packaging and product should be disposed of by a suitable recycling centre.

Do not dispose of with normal household waste.

Do not burn.

ORDER CODES

	US Order Code	
T/TFR-4/10	882000530	Fast response flying lead sensor with 4 metre (4.37 yds) lead (packet of 10)
ACC/FS		Mounting kit for T/TFR-4 (includes aluminium strip and rubber grommet)

SPECIFICATIONS

Sensing Element	:Thermistor 10 kΩ at 25 °C (77 °F)
Temperature accuracy of sensor	:±0.44 °C (0 to +40 °C), ±0.79 °F (+32 °F to +104 °F)
Ambient limits	:-10 °C to +50 °C (+14 °F to +122 °F) :0 %RH to 90 %RH

Input channels and sensor scaling

For IQ controllers link channel for thermistor, T, and set up the sensor type scaling; the recommended method of setting the sensor type scaling is to use SET.

For all IQ2 series controllers with firmware of version 2.1 or greater, or IQ3 series controllers, the following SET Unique Sensor Reference should be used:

Thermistor TFR-4 (°C)
Thermistor TFR-4 F (°F)

If required to set alarm limits on the ambient range, change the values of U and L to those shown in the table

Alternatively use sensor scaling mode 5, characterise and enter the scaling manually as defined in the table shown.

Note that for IQ3 the scaling mode and exponent (E) do not need to be set up.

	Units	°C
Y	Input type	1 (thermistor volts)
E	Exponent	3
U	Upper	50
L	Lower	-10
P	Points	6
x	lx	Ox (°C)
1	2.641	50
2	3.47	40
3	4.46	30
4	6.663	10
5	7.668	0
6	8.102	-5

System Accuracy (including controller)	:±0.9 °C (0 to +40 °C), ±1.62 °F (+32 °F to +104 °F)
--	--

For all other IQ controllers see the Sensor Scaling Reference Card, TB100521A.

Manufactured for and on behalf of the Environmental and Combustion Controls Division of Honeywell Technologies Sàrl, Ecublens, Route du Bois 37, Switzerland by its Authorized Representative, Trend Control Systems Limited.

Trend Control Systems Limited reserves the right to revise this publication from time to time and make changes to the content hereof without obligation to notify any person of such revisions or changes.

Trend Control Systems Limited

P.O. Box 34, Horsham, West Sussex, RH12 2YF, UK. Tel:+44 (0)1403 211888 Fax:+44 (0)1403 241608 www.trend-controls.com

Trend Control Systems USA

6670 185th Avenue NE, Redmond, Washington 98052, USA. Tel: (425)897-3900, Fax: (425)869-8445 www.trend-controls.com