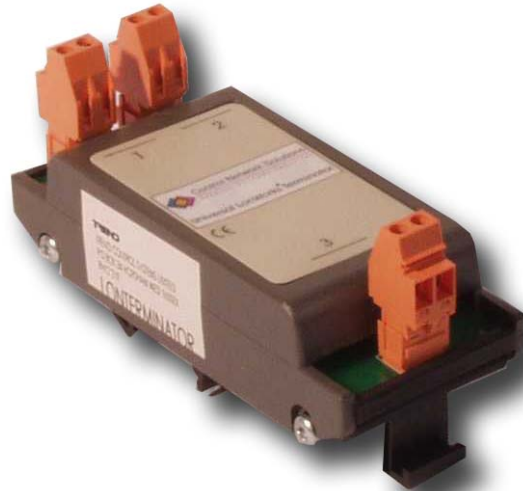


LONTERMINATOR Lon Terminator



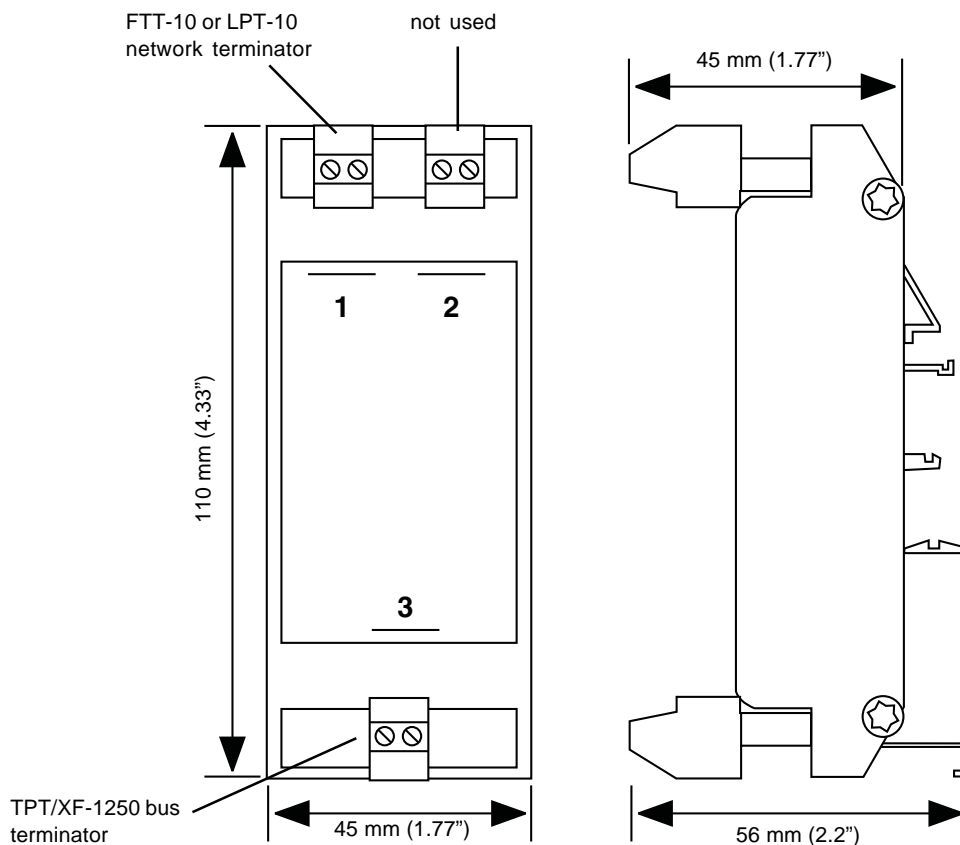
Description

The LONTERMINATOR is a DIN rail mounting unit that can be used to perform termination of either a FTT-10A, or a TPT/XF-1250 LonWorks network. It can also be used for termination of the link powered version of the FTT-10 bus (LPT-10).

Features

- Universal terminator FTT-10A, LPT-10, or TPT/XF-1250
- DIN rail mounting
- Two part connectors

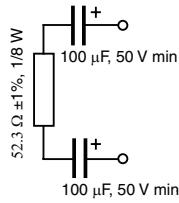
Physical



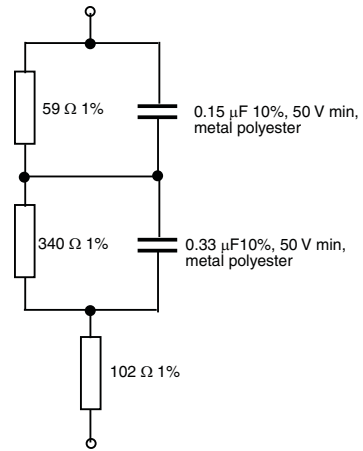
FUNCTIONALITY

The LONTERMINATOR can be used on FTT-10A/LPT-10 (terminator 1), or TPT/XF-1250 (terminator 3)

Terminator 1:
FTT-10A or LPT-10 single terminator (free topology)



Terminator 3:
TPT/XF-1250 terminator



INSTALLATION

Mount unit on DIN rail.
Connect to LonWorks network.

Note that to facilitate fault finding, the terminator should be mounted alongside the LINC, or Router/Repeater (if fitted).

The installation procedure is covered in the LONTERMINATOR Installation Instructions TG200230.

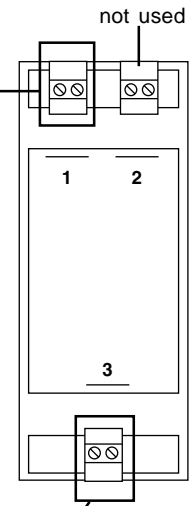
CONNECTIONS

FTT-10A or LPT-10 free topology

* Terminate LonWorks network at one end only

Cable	Max Cable length	Max node to node
Belden 85102	500 m (545 yds)	500 m (545 yds)
IQ System TP/1/0/16/HF/200 (Belden 8471)	500 m (545 yds)	400 m (430 yds)
UL Level IV, 22 AWG	500 m (545 yds)	400 m (430 yds)
JY(St) Y2 x 2 x 0.8	500 m (545 yds)	320 m (350 yds)
TIA568A Cat. 5, 24 AWG	450 m (490 yds)	250 m (270 yds)

Table assumes maximum wire temperature of 55 °C (131 °F). Cable length is total length of cable used including stubs, the short lengths of cable to junction boxes (if used).



Note that for terminator 1 used with LPT-10, cable lengths differ - see "LPT-10 Link Power Transceiver User's Guide (078-0105-01C).

TPT/XF-1250

Terminate Lon bus at both ends

Number of Nodes	Temperature	Worst Case Bus Length	Maximum Stub Length
64	0 to +70 °C (+32 °F to +158 °F)	130 m (340 feet)	0.3 m (12 inches)
62	-20 to +85 °C (-4 °F to +185 °F)	130 m (340 feet)	0.3 m (12 inches)
16	-40 to +85 °C (-40 °F to +185 °F)	130 m (340 feet)	0.3 m (12 inches)

The number of nodes is maximum number per segment. To eliminate failures due to reflections it is prohibited to exceed more than 8 nodes in any 16 m (17.5 yds) length of cable (8-in-16 rule). If more than 8 nodes must be close together, either separate with a router, or add a length of cable between the nodes (making sure not to exceed maximum lengths as defined above). Connect terminator across 'Data' terminals.

DISPOSAL

WEEE Directive :

At the end of their useful life the packaging and product should be disposed of by a suitable recycling centre.
Do not dispose of with normal household waste.
Do not burn.

ORDER CODES

LONTERMINATOR US Code 882000350 :Universal Lon Terminator

SPECIFICATION

Dimensions :110 mm x 45 mm x 56 mm (4.33" x 1.77"
x 2.2")
Weight :84 g (2.96 oz)
Connections :2 part screw terminal connectors for
0.5 to 2.55 mm² cross section area (14
to 20 AWG) cable.

Operating Temperature :0 to 70 °C (32 °F to 158 °F)
Operating Humidity :25 % to 90 % RH

©Echelon Corporation. Echelon, LON, Neuron, LONWORKS are
U.S. registered trademarks of Echelon Corporation. LONMARK
is a trademark of Echelon Corporation.

Manufactured for and on behalf of the Environmental and Combustion Controls Division of Honeywell Technologies Sàrl, Ecublens, Route
du Bois 37,Switzerland by its Authorized Representative.

Trend Control Systems Limited reserves the right to revise this publication from time to time and make changes to the content
hereof without obligation to notify any person of such revisions or changes.

Trend Control Systems Limited

P.O. Box 34, Horsham, West Sussex, RH12 2YF, UK. Tel:+44 (0)1403 211888 Fax:+44 (0)1403 241608 www.trend-controls.com

Trend Control Systems USA

6670 185th Avenue NE, Redmond, Washington 98052, USA. Tel: (425)897-3900, Fax: (425)869-8445 www.trend-controls.com