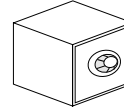
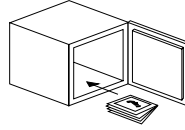
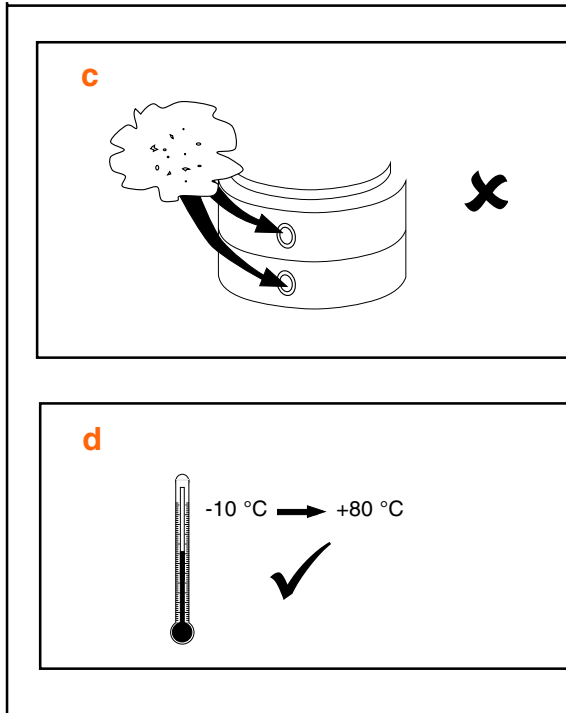
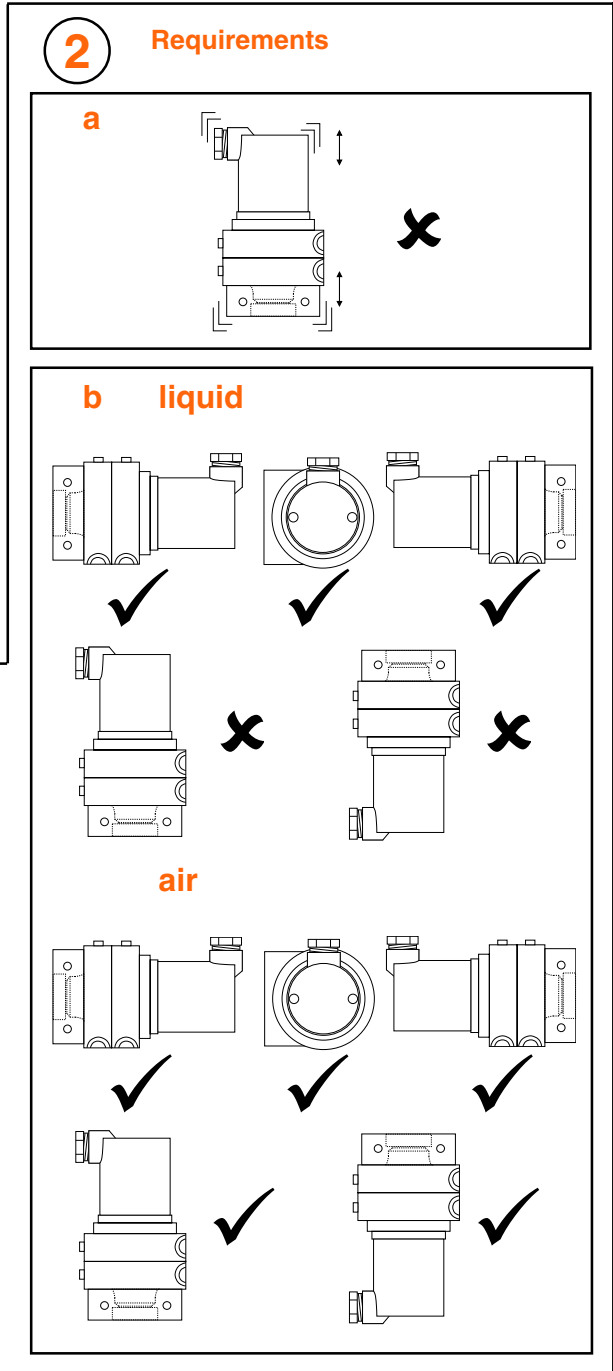
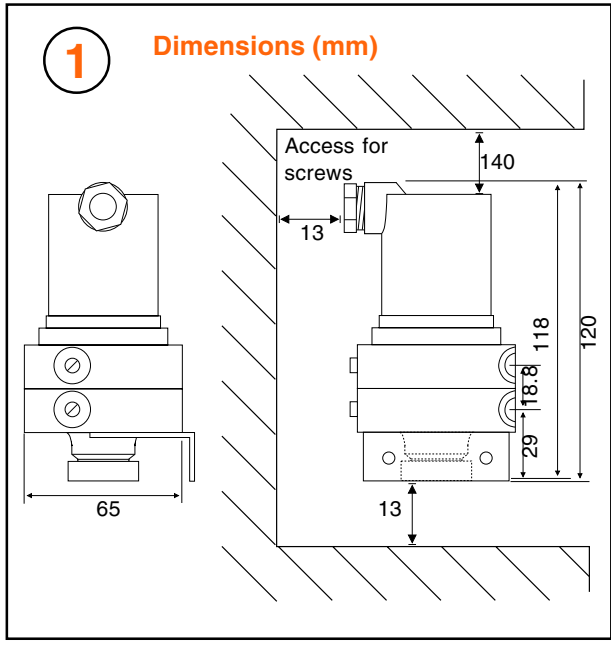


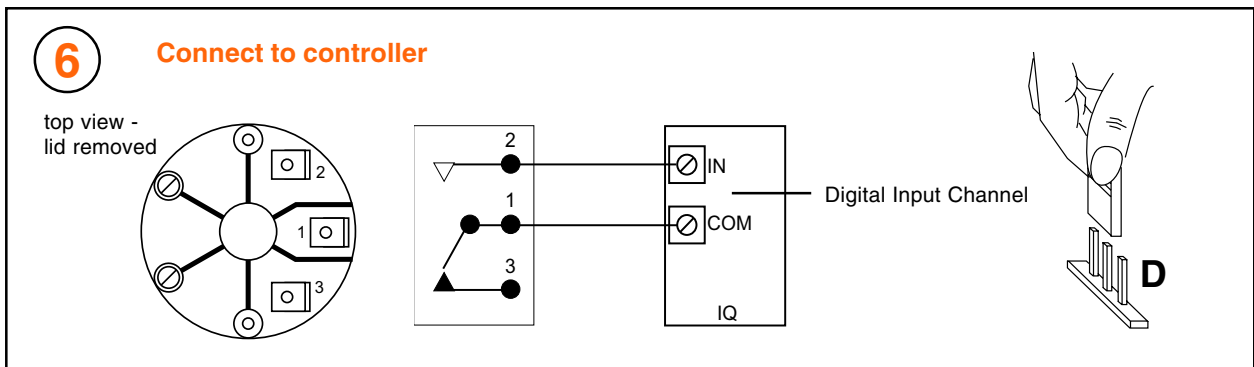
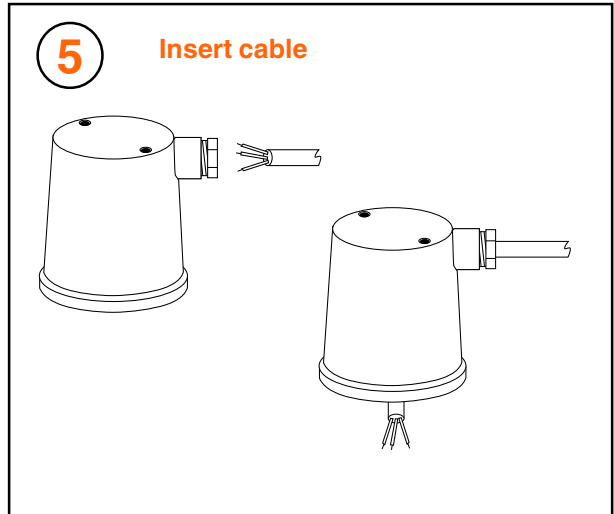
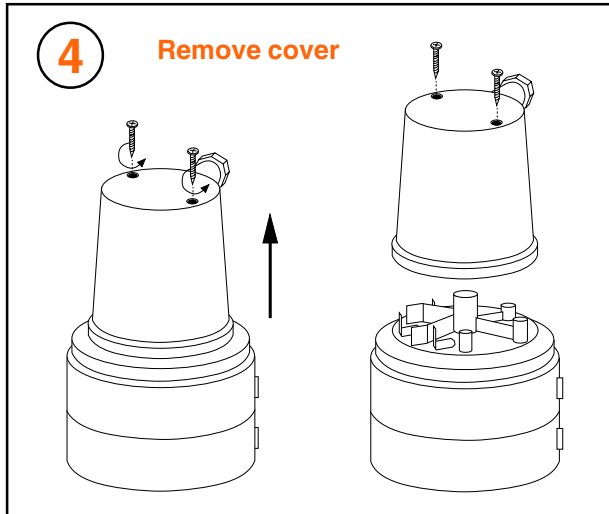
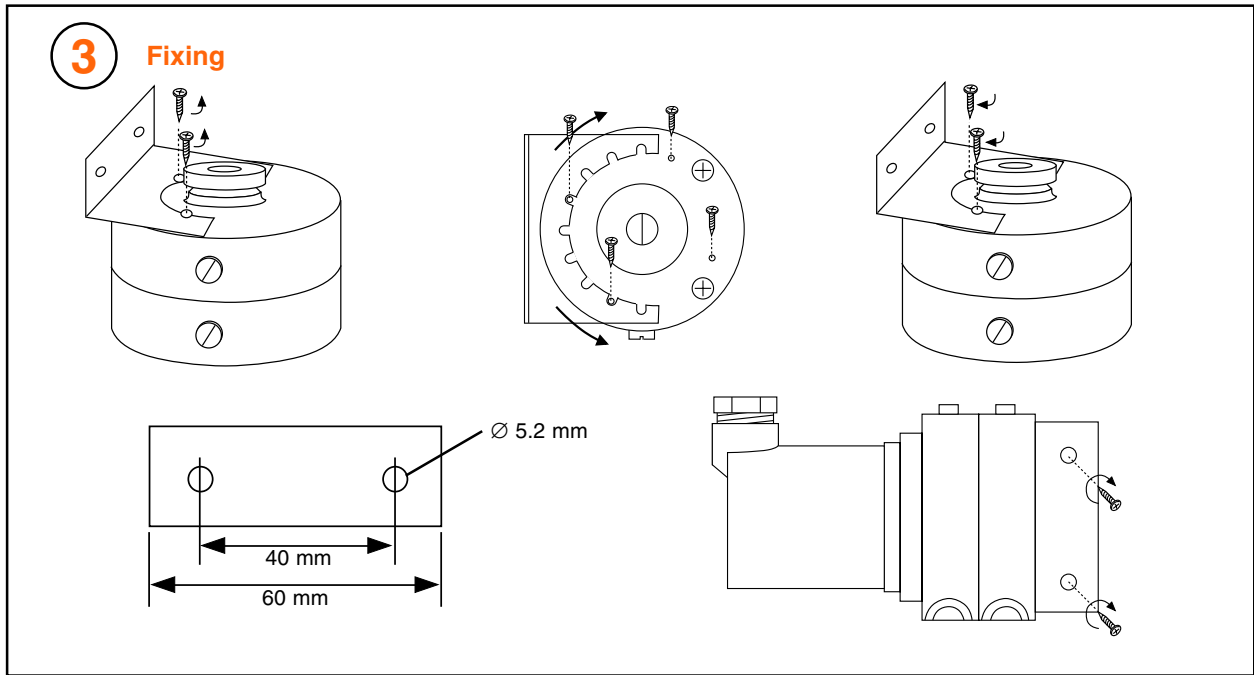
DPSL Differential Pressure Switch (Liquid)

Important: Retain these instructions



INSTALLATION





7 Requirements

a

P1
P2
 $P1 > P2$ ✓
[$P1 < P2$ X]

b

$\Delta P \leq 10000$ mbar (DPSL/L)
20000 mbar (DPSL/H)
-10 °C → +80 °C

c

d

8

over pressure under pressure differential pressure

+

-

+

-

+

-

ΔP

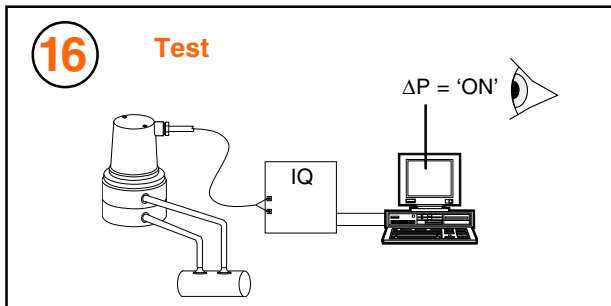
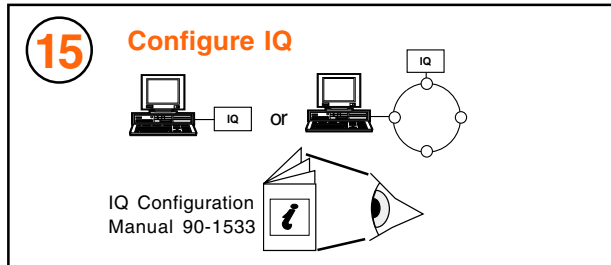
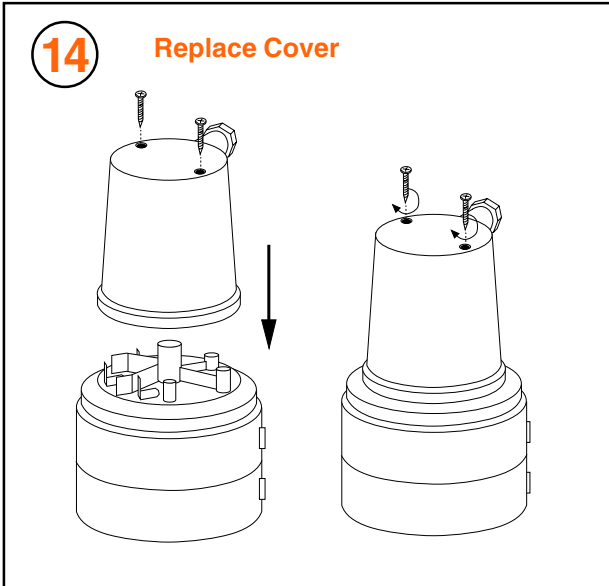
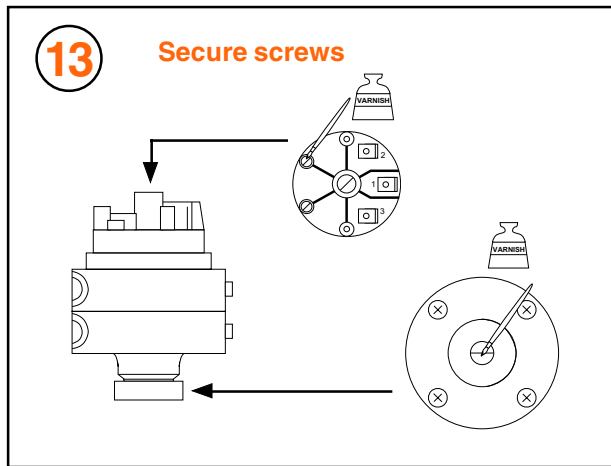
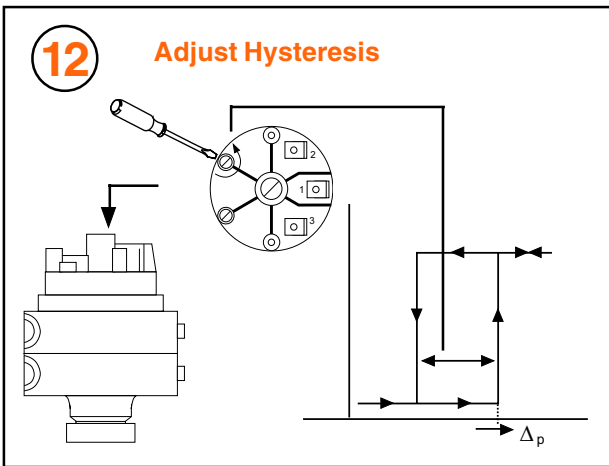
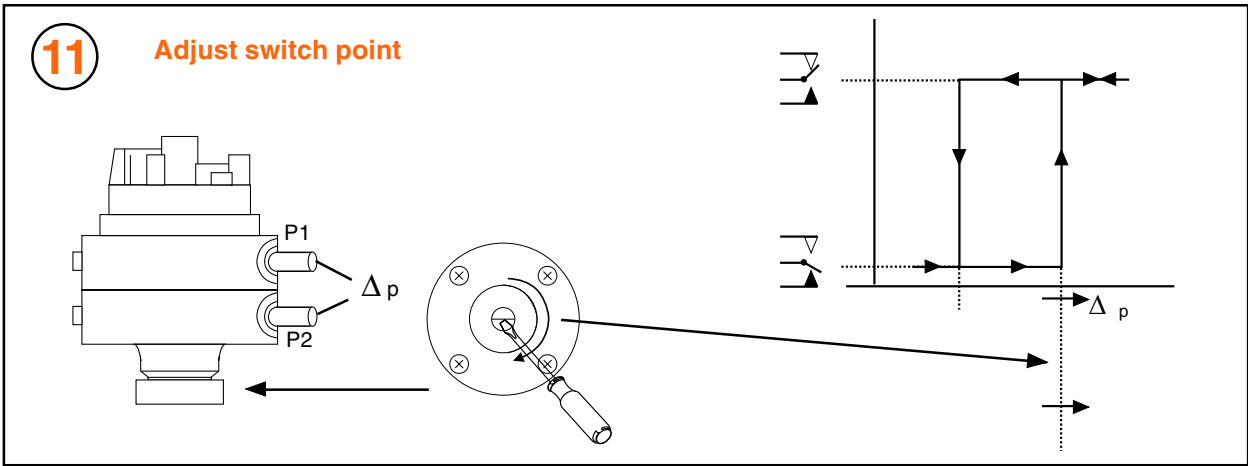
9 Connect pressure

$G \frac{1}{8}''$ (DIN259),
 $\frac{1}{8}''$ (BSP)
female thread

P1
P2

10

2
1
3



Trend Control Systems Ltd reserves the right to revise this publication from time to time and make changes to the content hereof without obligation to notify any person of such revisions or changes.

