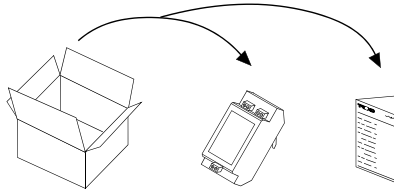


Important: Retain these instructions

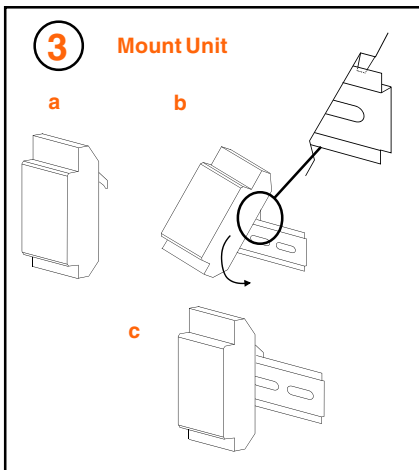
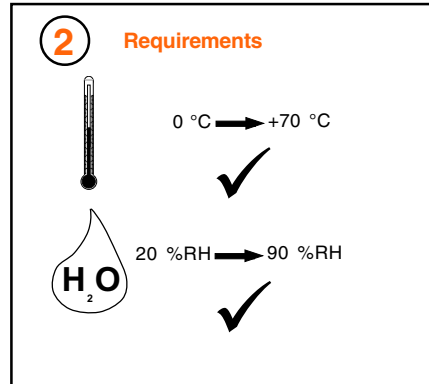
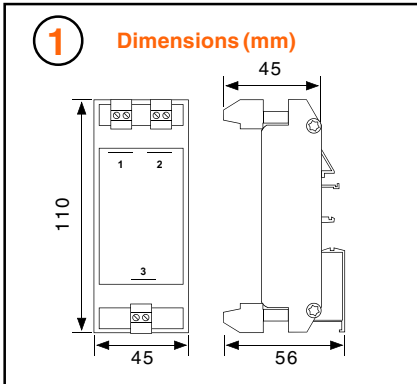


Unpacking



LONTERMINATOR
Installation Instructions
TG200230

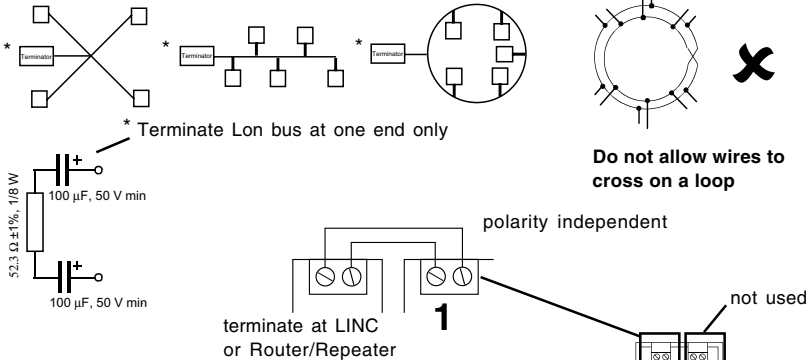
Installation



Installation (continued)

4 Connect Lon Network

if FTT-10A or LPT-10



Cable	Max Cable length	Max node to node
Belden 85102	500 m	500 m
8471	500 m	400 m
UL Level IV, 22 AWG	500 m	400 m
JY(St) Y2 x 2 x 0.8	500 m	320 m

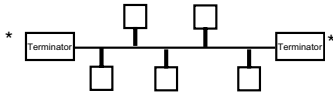


If used with LPT-10 (powered bus), cable lengths differ - see "Link Power Transceiver User's Guide (078-0105-01C)".

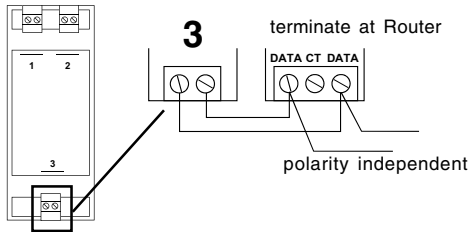
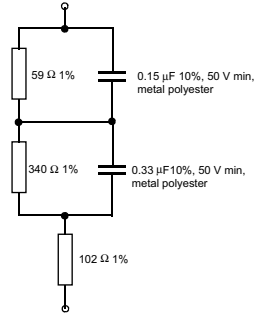
Installation (continued)

5 Connect Lon Network

if TPT/XF-1250



* Terminate Lon bus at both ends



Number of Nodes	Temperature	Worst Case Bus Length	Maximum Stub Length
64	0 to +70 °C	130 m (340 feet)	0.3 m (12 inches)
62	-20 to +85 °C	130 m (340 feet)	0.3 m (12 inches)
16	-40 to +85 °C	130 m (340 feet)	0.3 m (12 inches)

CABLE

Primary bus:

LEVEL IV, 22AWG (0.65mm) twisted pair

Stubs:

LEVEL IV, 24 AWG (0.5 mm) or LEVEL IV, 22 AWG (0.65 mm)

Note: No more than 8 nodes in any 16 m length of bus.



For more detail see "LonWorks TPT Twisted Pair Transceiver User's Guide 078-0025-01C" available from an Echelon distributor.

Trend Control Systems Ltd reserves the right to revise this publication from time to time and make changes to the content hereof without obligation to notify any person of such revisions or changes.



Trend Control Systems Ltd P.O. Box 34 Horsham Sussex RH12 2YF Tel:+44 (0)1403 211888 Fax:+44 (0)1403 241608 www.trend-controls.com
