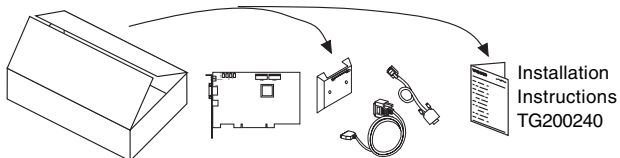


Important: Retain these instructions

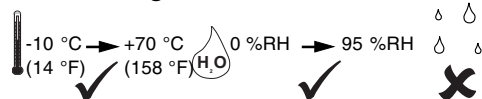


1 Unpacking



Note that order code for full product is PACK/LNC2/STD. Code LNC2 is replacement board only.

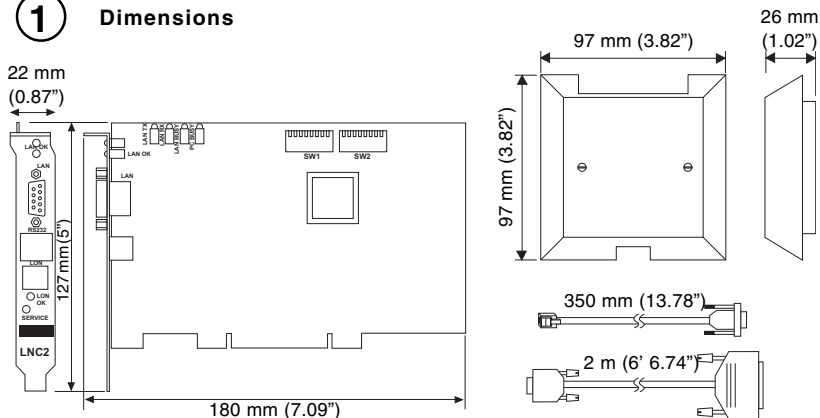
2 Storage



It is recommended that the installation should comply with the HSE Memorandum of Guidance on Electricity at Work Regulations 1989. For USA install equipment in accordance with the National Electric Code.

3 Installation


1 Dimensions



WARNING: Opening the panel may expose dangerous voltages.

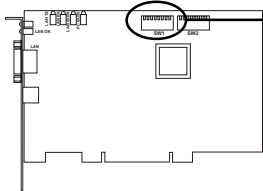
 417-IEC-5036

Caution: The LNC2 contains static sensitive devices. Suitable anti-static precautions should be taken throughout this operation to prevent damage to the unit.

 BS EN100015/1 Basic Specification: protection of electrostatic sensitive devices.

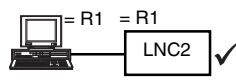
3 Installation (Continued)

2 Set RS232 (PC to LNC2) baud rate



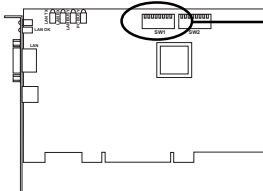
top view

RS232 Baud Rate = R1



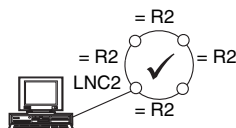
PC LAN
19k2 ← 1k2 19k2 ← 1k2
↑ NO
8 7 9 5 6 8 Z 1
SW1
19k2
8 7 9 5
↑ ↓ ↓ ↓
9k6
8 7 9 5
↑ ↓ ↓ ↓
4k8
8 7 9 5
↑ ↓ ↓ ↓
1k2
8 7 9 5
↑ ↓ ↓ ↓

3 Set LNC2 to Lan baud rate



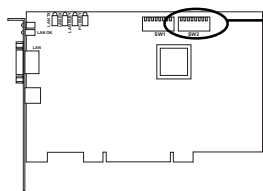
top view

Lan Baud Rate = R2



PC LAN
19k2 ← 1k2 19k2 ← 1k2
↑ NO
8 7 9 5 6 8 Z 1
SW1
19k2
6 8 Z 1
↑ ↓ ↓ ↓
9k6
6 8 Z 1
↑ ↓ ↓ ↓
4k8
6 8 Z 1
↑ ↓ ↓ ↓
1k2
6 8 Z 1
↑ ↓ ↓ ↓

4 Set Lan address

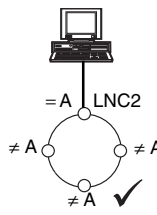


top view

Address = A

✓ 1, 4 to 9, 11 to 119

✗ 0, 2 to 3, 10, or >119



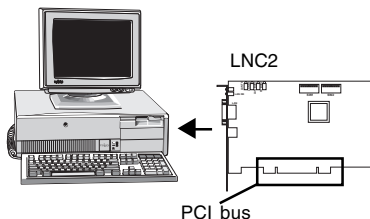
LAN ADDRESS
NORM 643216 8 4 2 1
SW2
↑ NO
8 7 9 5 6 8 Z 1
DUMB
e.g.
NORM 643216 8 4 2 1
SW2
↑ NO
8 7 9 5 6 8 Z 1
DUMB
4 + 1 = 5
Set
↑
Not Set
↓

3 Installation (Continued)

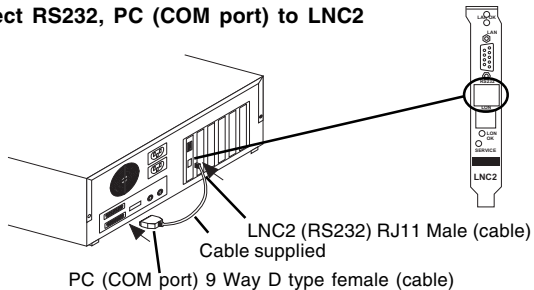
5 Fit the LNC2 into the PC

PACK/LNC2/STD/USA. The unit is UL rated as 'UL916, accessory to open energy management equipment.

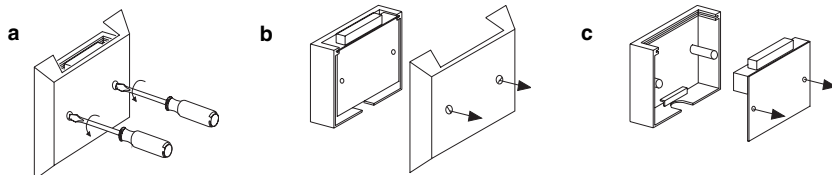
Follow PC manufacturer's instructions for fitting an expansion card



6 Connect RS232, PC (COM port) to LNC2



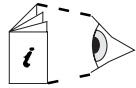
7 Dis-assemble Wallbox



3 Installation (Continued)

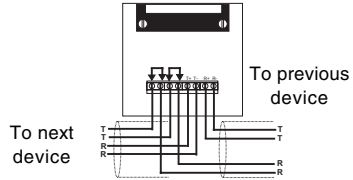
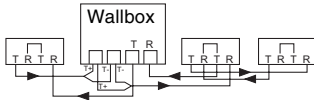
8 Connect Wallbox to Lan

polarity independent

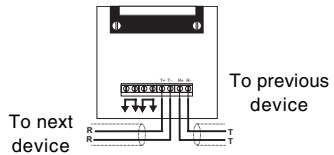
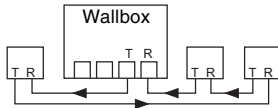


Network Engineering Manual
92-1735

4 wires



2 wires

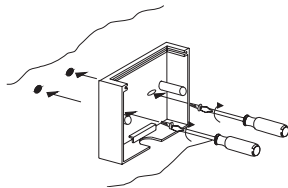
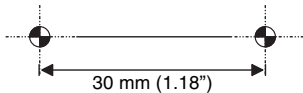


Terminal sizes 0.5 to 2.5 mm (14 to 20 AWG)

Terminate screens to earth (ground) at adjacent devices

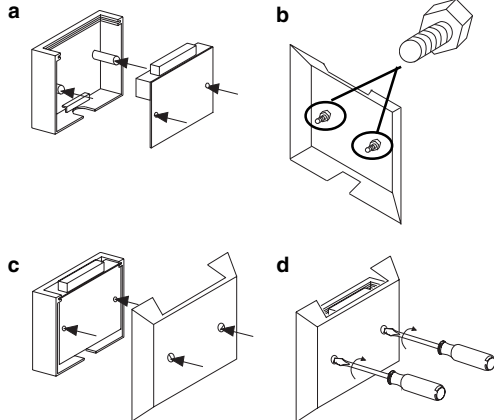
Cable	1k2 baud	4k8 baud	9k6 baud	19k2 baud	No. of Wires
Belden 9182	1000 m (1090 yds)	1000 m (1090 yds)	1000 m (1090 yds)	700 m (765 yds)	2
Belden 9207	1000 m (1090 yds)	1000 m (1090 yds)	1000 m (1090 yds)	500 m (545 yds)	2
Trend TP/1/1/22/HF/200 (Belden 8761)	1000 m (1090 yds)	1000 m (1090 yds)	700 m (765 yds)	350 m (380 yds)	2
Trend TP/2/2/22/HF/200 (Belden 8723)	1000 m (1090 yds)	1000 m (1090 yds)	500 m (545 yds)	250 m (270 yds)	4

9 Mount the Wallbox

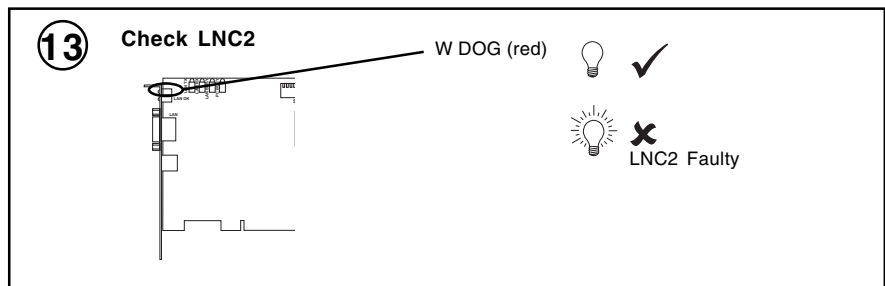
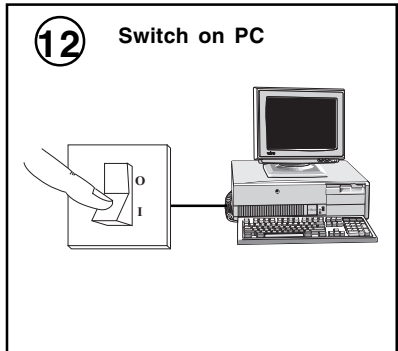
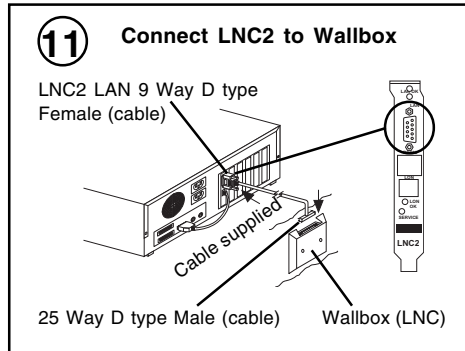


10 Assemble Wallbox

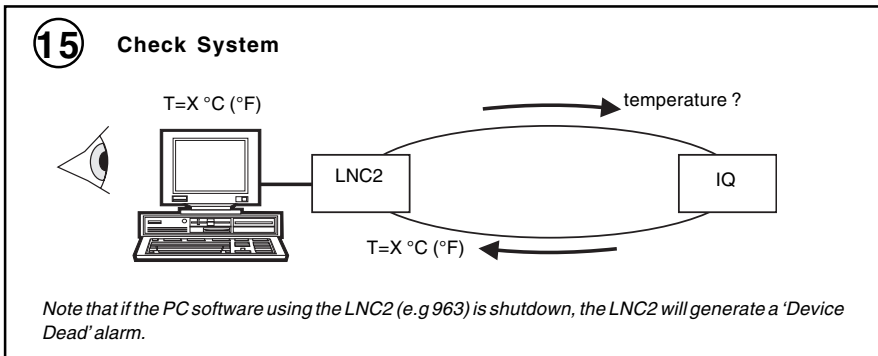
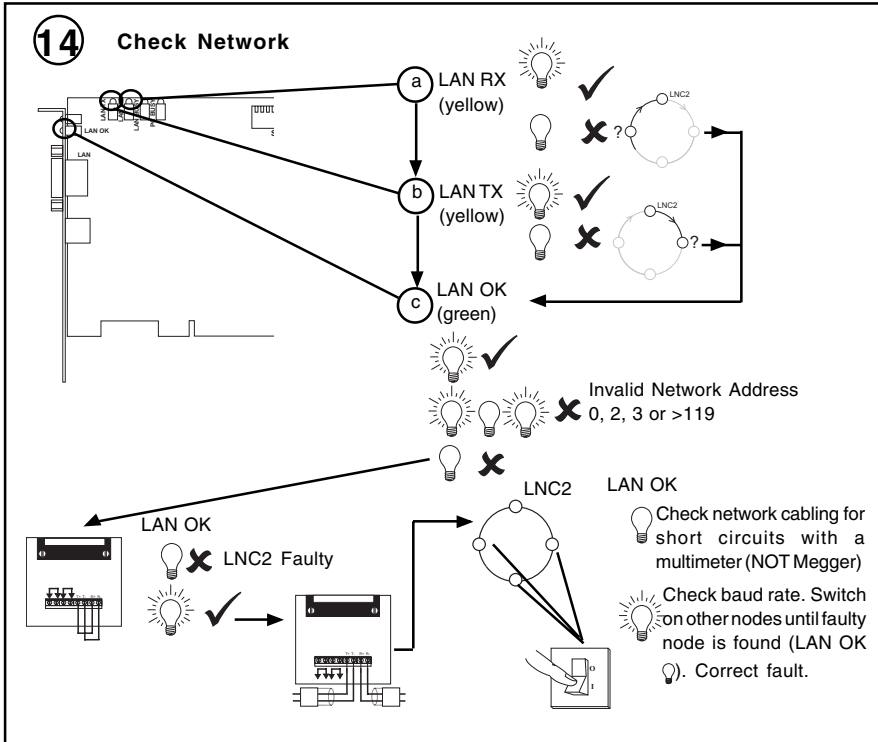
ensure spacer nuts fitted




3 Installation (Continued)



3 Installation (Continued)



4 Disposal



WEEE Directive :

At the end of their useful life the packaging and product should be disposed of by a suitable recycling centre.

Do not dispose of with normal household waste.
Do not burn.

This page is intentionally left blank

Manufactured for and on behalf of the Environmental and Combustion Controls Division of Honeywell Technologies Sàrl, Ecublens, Route du Bois 37, Switzerland by its Authorized Representative, Trend Control Systems Limited.

Trend Control Systems Limited reserves the right to revise this publication from time to time and make changes to the content hereof without obligation to notify any person of such revisions or changes.

Trend Control Systems Limited

P.O. Box 34, Horsham, West Sussex, RH12 2YF, UK. Tel: +44 (0)1403 21888 Fax: +44 (0)1403 241608 www.trend-controls.com

Trend Control Systems USA

6670 185th Avenue NE, Redmond, Washington 98052, USA. Tel: (425)897-3900, Fax: (425)869-8445 www.trend-controls.com