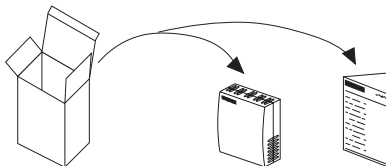


Important: Retain these instructions



UNPACKING



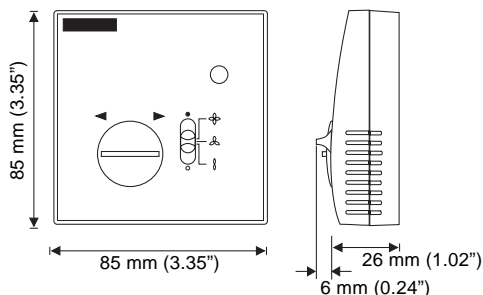
TB/TS/KE, /KEF
Installation Instructions
TG200605

INSTALLATION

For use with IQL controllers only

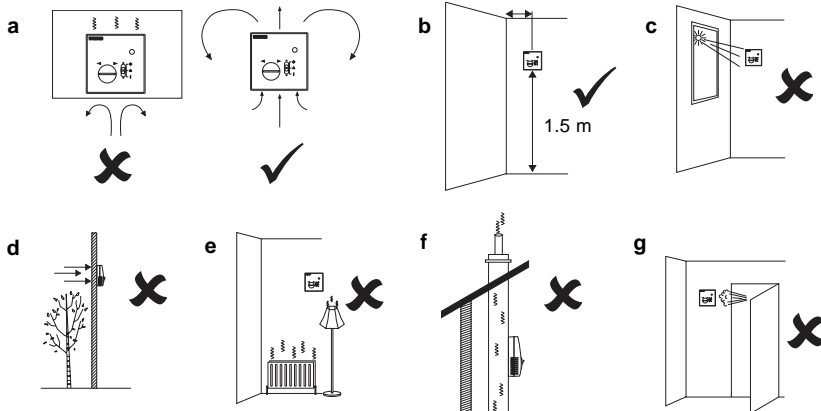
①

Dimensions



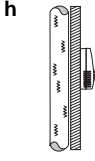
②

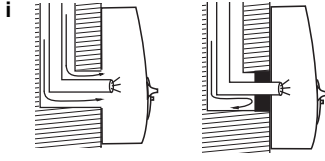
Requirements




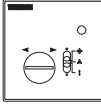

INSTALLATION (continued)

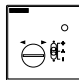

2 Requirements (continued)

h  **X**

i  **X** **X**

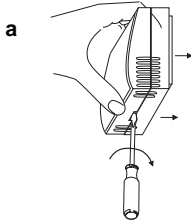
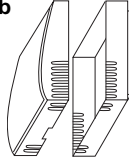
j  -10 °C → +50 °C (14 °F) (122 °F) ✓
0 °C → +40 °C measurement (32 °F) (104 °F)

k  ✓  **X**

l  **X**  ✓

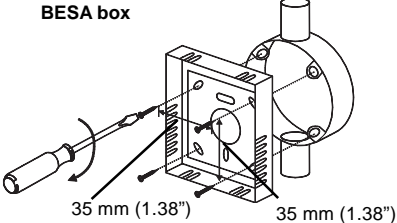
H₂O 0 %RH → 90 %RH ✓

3 Remove backplate

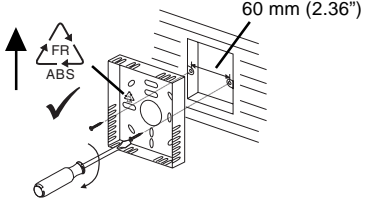
a  **b** 

4 Mount backplate

BESA box

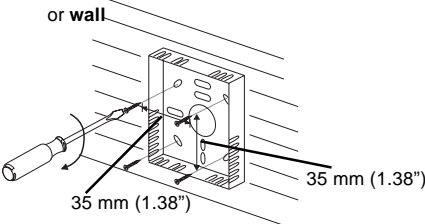
 35 mm (1.38") 35 mm (1.38")

wall box

 60 mm (2.36")

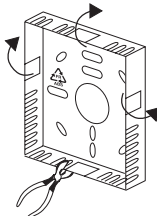
FR **ABS** ✓

or wall

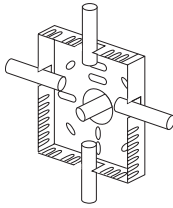
 35 mm (1.38") 35 mm (1.38")

5 Remove cutout(s)

as required



6 Route cables



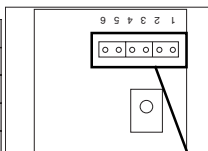
INSTALLATION (continued)

7

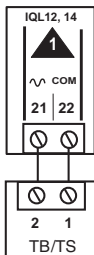
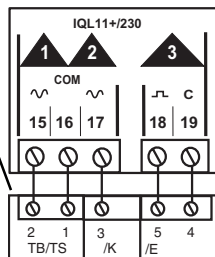
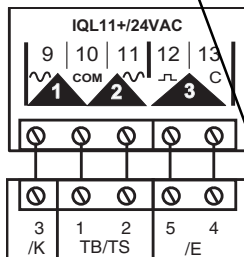
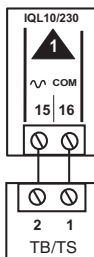
Wire to controller

IQL only

IQL	OPTIONS
IQL10, 12, 14	TB/TS
IQL11+, 17	TB/TS, TB/TS/K, TB/TS/KE
IQL13+	TB/TS, TB/TS/K, TB/TS/KE, TB/TS/KEF
IQL15+	TB/TS, TB/TS/K, TB/TS/KE, TB/TS/KEF
IQL16	TB/TS, TB/TS/K

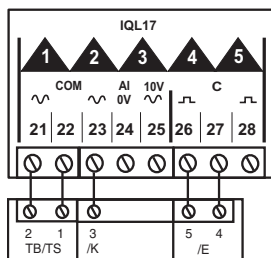
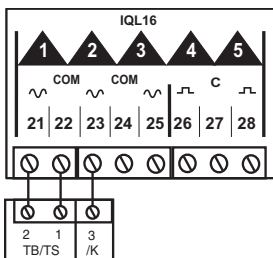
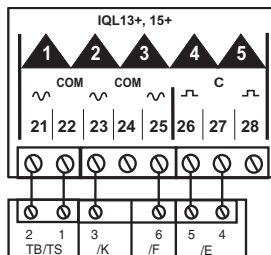


Note that these options (TB/TS/KE, or TB/TS/KEF) cannot be used with IQs or FCs; use options TB/TS, TB/TS/K, /KO, /OS, /KOF, or /KOSF with IQs or FCs.



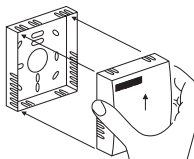
Terminal size 0.5 to 2.5 mm²
(14 to 20 AWG)

Note that screened cable is not required for sensor wiring to IQLs. If screened cable is used, the screen must be terminated at the controller to its supply earth.



8

Assemble unit



'click'

INSTALLATION (continued)

9 Test system

The diagram illustrates the testing process for different sensor types. It starts with an icon for 'IQL Installation Instructions' featuring an eye symbol. Below this, four sensor types are shown with their respective test symbols:

- IQL**: A sensor box with a Δ T symbol and a magnifying glass icon.
- /E**: A sensor box with a Δ symbol and a magnifying glass icon.
- /K**: A sensor box with a Δ SP symbol and a magnifying glass icon.
- /F**: A sensor box with a flower-like symbol and a magnifying glass icon.

DISPOSAL

WEEE Directive :

At the end of their useful life the packaging and product should be disposed of by a suitable recycling centre.

Do not dispose of with normal household waste.
Do not burn.

Manufactured for and on behalf of the Environmental and Combustion Controls Division of Honeywell Technologies Sàrl, Ecublens, Route du Bois 37, Switzerland by its Authorized Representative.

Trend Control Systems Limited reserves the right to revise this publication from time to time and make changes to the content hereof without obligation to notify any person of such revisions or changes.

Trend Control Systems Limited

P.O. Box 34, Horsham, West Sussex, RH12 2YF, UK. Tel: +44 (0)1403 21888 Fax: +44 (0)1403 241608 www.trend-controls.com

Trend Control Systems USA

6670 185th Avenue NE, Redmond, Washington 98052, USA. Tel: (425)897-3900, Fax: (425)869-8445 www.trend-controls.com