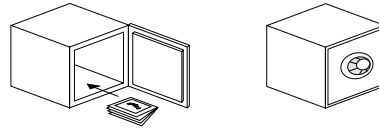
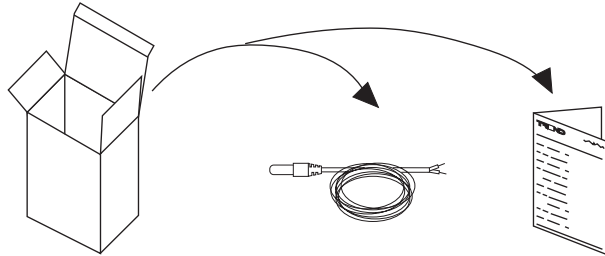


Important: Retain these instructions



### Unpacking



Installation Instructions,  
TG200504

### Installation

**1 Dimensions**

**2 Requirements**

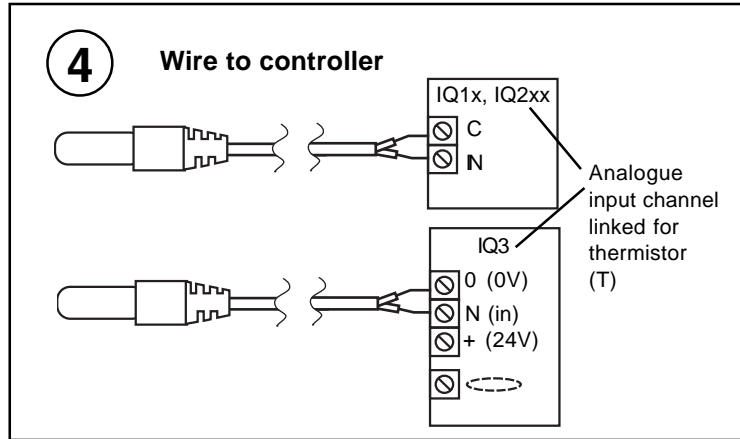
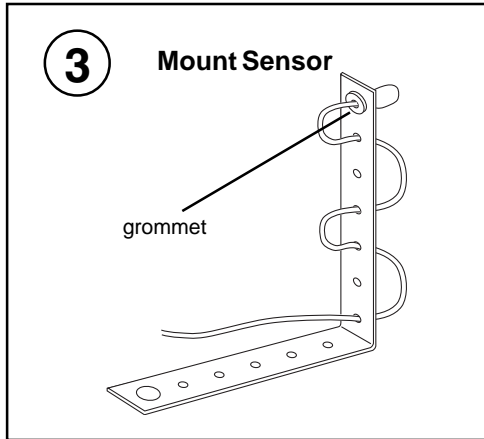
**a**

**b** **c**

**d** **e** **f** **g**

**h** -10 °C (14 °F) → +50 °C (122 °F)  
0 °C (32 °F) → +40 °C measurement (104 °F) ✓ 0%RH → 90%RH ✓

Installation



**5 Set up IQ Sensor types**

It is recommended to use SET (software tool) for the setting of sensor type modules. For all IQ2 series controllers with firmware version 2.1 or greater, or IQ3 series controllers, one of the the following SET Unique Sensor References should be used:

**Thermistor TFR-4 (°C)**  
**Thermistor TFR-4 F (°F)**

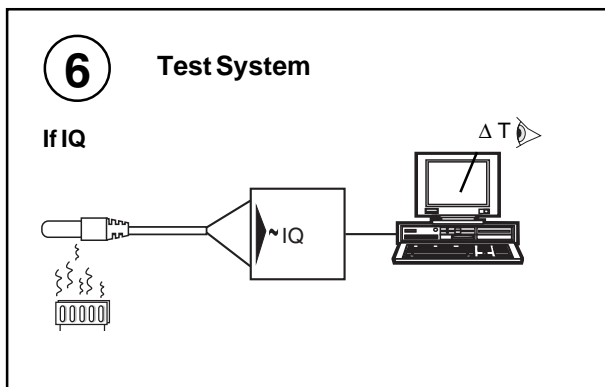
Alternatively enter scaling manually as defined in the table below.  
 For all other IQ controllers see Sensor Scaling Reference Card TB100521A.

Type Sensor digI/P Driver Function loGic Loop sChedule seQnc Analog digBit Knob sWitch Time Zone Oss User address intcoN calarM reVieW Plot calEndar = ?

**Thermistor (-10 to +50 °C, 14 to 122 °F)**

Yn<CR>  
 TYPE n  
 :  
 =?  
 S=5 (characterise)  
 Y=, E=, U=, L=, P=,  
 I1 to I6=, O1 to O6=  
 X<CR>

Units	°C	°F	
Y Input type	1 (thermistor volts)		
E Exponent	3		
U Upper	50	122	
L Lower	-10	14	
P Points	6		
x Ix	Ox		
1	2.641	50	122
2	3.47	40	104
3	4.46	30	86
4	6.663	10	50
5	7.668	0	32
6	8.102	-5	23



**Disposal**

**WEEE Directive :**

At the end of their useful life the packaging and product should be disposed of by a suitable recycling centre.  
 Do not dispose of with normal household waste.  
 Do not burn.

Manufactured for and on behalf of the Environmental and Combustion Controls Division of Honeywell Technologies Sàrl, Ecublens, Route du Bois 37,Switzerland by its Authorized Representative.

Trend Control Systems Limited reserves the right to revise this publication from time to time and make changes to the content hereof without obligation to notify any person of such revisions or changes.

**Trend Control Systems Limited**

P.O. Box 34, Horsham, West Sussex, RH12 2YF, UK. Tel:+44 (0)1403 211888 Fax:+44 (0)1403 241608 www.trend-controls.com

**Trend Control Systems USA**

6670 185th Avenue NE, Redmond, Washington 98052, USA. Tel: (425)897-3900, Fax: (425)869-8445 www.trend-controls.com